

THREADED LPG LEVEL GAUGE INDICATORI DI LIVELLO FILETTATI PER SERBATOI G.P.L.

A

- Version with brass head and everseal
Versione con testina in ottone ed everseal
- Version with zamak head
Versione con testina in zama

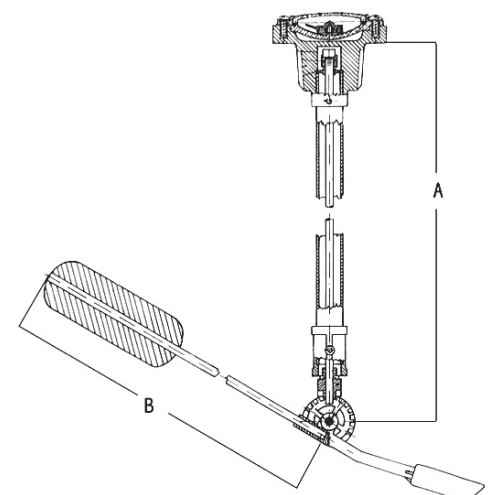


TAB. LPG LEVEL GAUGE WITH THREAD 1"
TABELLA RIASSUNTIVA INDICATORI FILETTATI 1"

CODE	TANK - SERBATOIO				
	Ø INCH	mm. Ø	TYPE TIPO	GALLONS GALLONI	LITRES LITRI
2069.U1"MAA	24"	609,60	HORIZONTAL	120	454,25
2070.U1"MAA	30"	762,00	HORIZONTAL	250/320	946,35/1.211,328
2071.U1"MAA	37"	939,80	HORIZONTAL	500	1.892,70
2072.U1"MAA	41"	1.041,40	HORIZONTAL	1000	3.785,40
2073.U1"MAA	48"	1.219,20	HORIZONTAL		
2075.U1"MAA	30"	762,00	VERTICAL		
2076.U1"MAA			VERTICAL		
20SO.U1"MAA			HORIZONTAL		
20SV.U1"MAA			VERTICAL		

TAB. LPG LEVEL GAUGE WITH THREAD 1 1/4"
TABELLA RIASSUNTIVA INDICATORI FILETTATI 1 1/4"

CODE	TANK - SERBATOIO				
	Ø INCH	mm. Ø	TYPE TIPO	GALLONS GALLONI	LITRES LITRI
2069.U1" 1/4 MAA	24"	609,60	HORIZONTAL	120	454,25
2070.U1" 1/4 MAA	30"	762,00	HORIZONTAL	250/320	946,35/1.211,328
2071.U1" 1/4 MAA	37"	939,80	HORIZONTAL	500	1.892,70
2072.U1" 1/4 MAA	41"	1.041,40	HORIZONTAL	1000	3.785,40
2073.U1" 1/4 MAA	48"	1.219,20	HORIZONTAL		
2075.U1" 1/4 MAA	30"	762,00	VERTICAL		
2076.U1" 1/4 MAA			VERTICAL		
20SO.U1" 1/4 MAA			HORIZONTAL		
20SV.U1" 1/4 MAA			VERTICAL		



P.S.: M IS THE MONTH OF MANUFACTURE
AA IS THE YEAR OF MANUFACTURE
.E. 2000/03 = COO.
(A=JANUARY, B=FEBRUARY, C=MARCH ETC.)
(*) DIMENSION ON REQUEST.

P.S.: M E' IL MESE DI FABBRICAZIONE
AA E' L'ANNO DI FABBRICAZIONE
AD ES. 03/2000 = COO.
(A=GENNAIO, B=FEBBRAIO, C=MARZO ECC.)
(*) MISURE A RICHIESTA.

